

EXTOL Application Integrator for JD Edwards

EXTOL Application Integrator for JD Edwards (EAI for JDE) is a package of customizable integration templates for use with EXTOL Business Integrator (EBI). At runtime, integrations based on the templates automate X12 EDI processing and interchange between external trading partners and your Oracle JD Edwards EnterpriseOne (E1) system.

The JD Edwards logo is displayed in a dark grey, sans-serif font within a light grey rounded rectangular box. The letters 'J' and 'D' are significantly larger than the 'E' and 'd', and the 'W' is also large, creating a distinctive, bold look.

Unlike platform-only solutions and map library offerings, EAI for JDE slashes time-to-value by reducing onboarding effort and complexity. EAI for JD Edwards predefines a high percentage of the integration behavior needed for common order-to-cash EDI transactions. And instead of offering dozens or hundreds of overlapping examples culled from consulting projects, EAI for JDE provides optimized maps for the most common integration requirements.

You can use EAI for JDE to:

- **Rapidly build robust, custom integrations with customers, vendors, and other business partners.**

EAI for JDE includes complete, customizable templates for common order-to-cash transactions. You can customize processing behavior, source and target documents, mapping, adapters, and other integration features to suit the needs of trading partners and your business.

- **Reduce processing errors and cycle time by automating the interchange and processing of electronic transactions.**

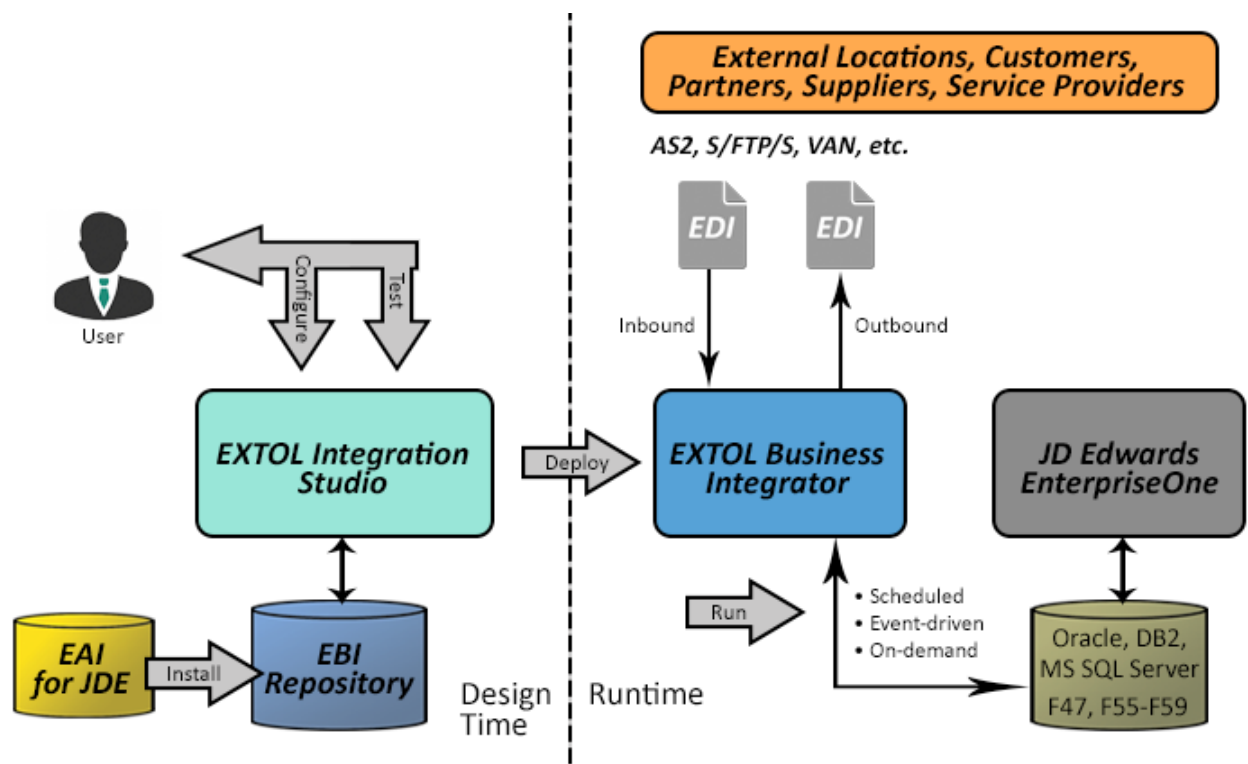
EAI for JDE integrations include configured objects that detect and automate the processing of inbound and outbound EDI transactions. This built-in automation lets you manage partner integration by exception and ignore the details of routine processing.

- **Reduce integration errors and project risk by exploiting built-in best practices.**

EAI for JDE incorporates best practices for EDI and JD Edwards integration, including:

- Integration using EnterpriseOne Data Interface for Electronic Data Interchange (F47 tables)
- Address Book Master and Who's Who integration for partner attributes
- Item Cross Reference integration
- Correct handling of JD Edwards implied decimal fields
- Support for transaction turn-around data using F55-F59 tables
- Predefined map logic for multiple Advance Ship Notice (ASN) packing hierarchies
- Standardized error notifications
- Reusable object naming conventions

These built-in best practices improve the quality and consistency of integration results and boost the effectiveness of IT professionals who have little or no JD Edwards integration experience.



Included EDI Integrations

EAI for JDE includes integration templates for the following EDI transactions:

Inbound Transactions³

EDI Transaction	JD Edwards Target Tables
810 Invoice	F47041 / F47042 / F47044 / F4706
820 Payment Order	F47111 / F47112 / F47113 / F47114
823 Lockbox	F47111 / F47112 / F47113 / F47114
850 Purchase Order	F47011 / F47012 / F4717 / F4715 / F4706
856 Advance Ship Notice (S-O-P-I)	F47031 / F47032 / F4706 / F4714
856 Advance Ship Notice (S-O-T-P-I)	F47031 / F47032 / F4706 / F4714
860 Purchase Order Change	F47131 / F47132 / F4706
867 Product Transfer & Resale	F47011 / F47012 / F4714 / F4715 / F4706
945 Warehouse Shipping Advice	F47131 / F47132

Outbound Transactions³

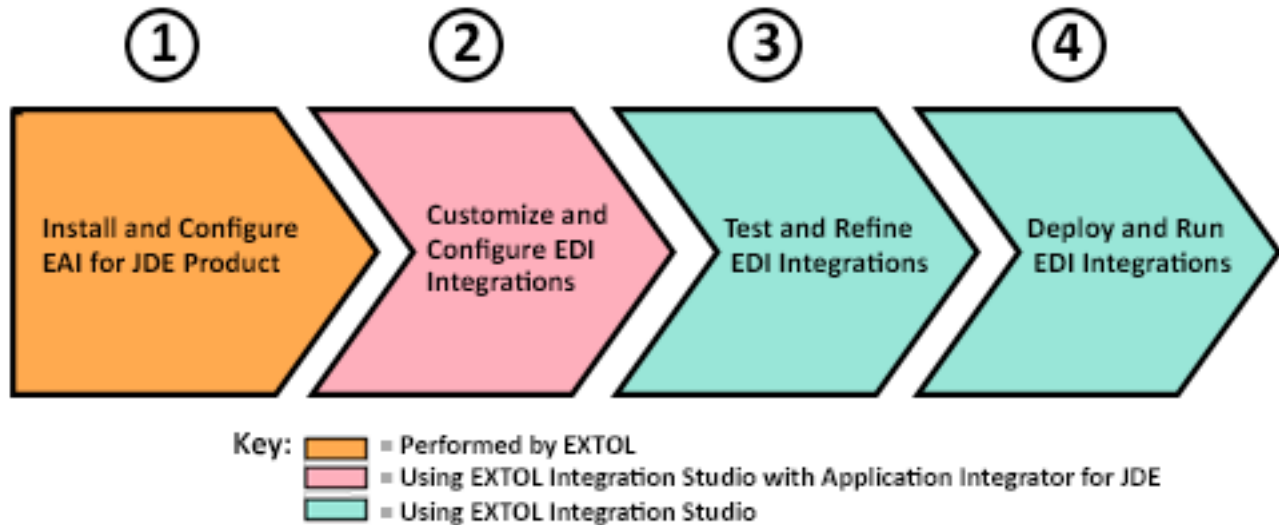
EDI Transaction	JD Edwards Source Tables
810 Invoice	F47046 / F47047 / F470461 / F4706 / F4714
850 Purchase Order	F47016 / F47017 / F47065 / F4714 / F4715
852 Product Activity	F47126 / F47127
855 PO Acknowledgement	F47026 / F47027 / F4714
856 Advance Ship Notice S-O-I	F47036 / F470371 / F4706
856 Advance Ship Notice S-O-I-P	F47036 / F470371 / F4706
856 Advance Ship Notice S-O-P-I	F47036 / F470371 / F4706
856 Advance Ship Notice S-O-T-P-I	F47036 / F470371 / F4706
940 Warehouse Shipping Order	F47026 / F47027
846 Inventory Advice	F47126 / F47127

Prerequisites

EXTOL Business Integrator (EBI) with the EDI Integrator and Database Integrator options.

Using EAI for JDE

The diagram below shows the main activities involved in using EAI for JDE:



1. **Install and Configure EAI for JDE Product** – EXTOL provides installation and configuration services with your EAI for JDE license, to ensure compatibility with your JD Edwards software and supporting database environment.²
2. **Customize and Configure EDI Integrations** – The integration templates included with EAI for JDE are implemented by collections of reusable EBI integration objects, including:
 - Document schemas for required JD Edwards tables and EDI document types
 - Data transformation maps for each of the inbound and outbound transactions listed above
 - Preconfigured data sources, data bindings, and database adapters for the Oracle database² used by the JD Edwards software
 - Complete business processes for included inbound and outbound integrations

Using the EXTOL Integration Studio design-time tools included with EXTOL Business Integrator, you create, configure, test, and maintain integrations based on the included templates, to meet partner- and business-specific requirements for data interchange and processing behavior.¹

3. **Test and Refine EDI Integrations** – Using tools built into EXTOL Integration Studio, you test and refine integrations locally, verify execution status and results, and troubleshoot exceptions.
4. **Deploy and Run EDI Integrations** – After testing your integrations locally, you deploy them to an EBI Test or Production environment and use the included Auditor and Dashboard tools to monitor and report on execution results.

Documentation

EAI for JDE includes comprehensive documentation on included integrations and how to customize them for your specific business needs.

Support

EXTOL provides telephone hotline and email support, plus ongoing updates to the EAI for JDE package as part of your annual maintenance entitlement. Consulting and assistance with JD Edwards integration projects are also available through the EXTOL Professional Services organization.

Notes:

- 1 - You can also implement integrations using EDIFACT, XML, and other document types using EXTOL Business Integrator's built-in process automation, data transformation, and adapter features. Contact EXTOL for details.
- 2 - EAI for JDE can be customized to work with earlier JD Edwards World versions and with Oracle, IBM DB2, and Microsoft SQL Server DBMSs. Contact EXTOL for details.
- 3 - This list of supported EDI integrations is complete as of the publication date. Contact EXTOL for a complete list of currently supported integrations and features.

For more information call:

U.S. Toll-free: 888.334.3986

Local & International: +1 570.628.5500

Email: info@extol.com

or visit www.EXTOL.com